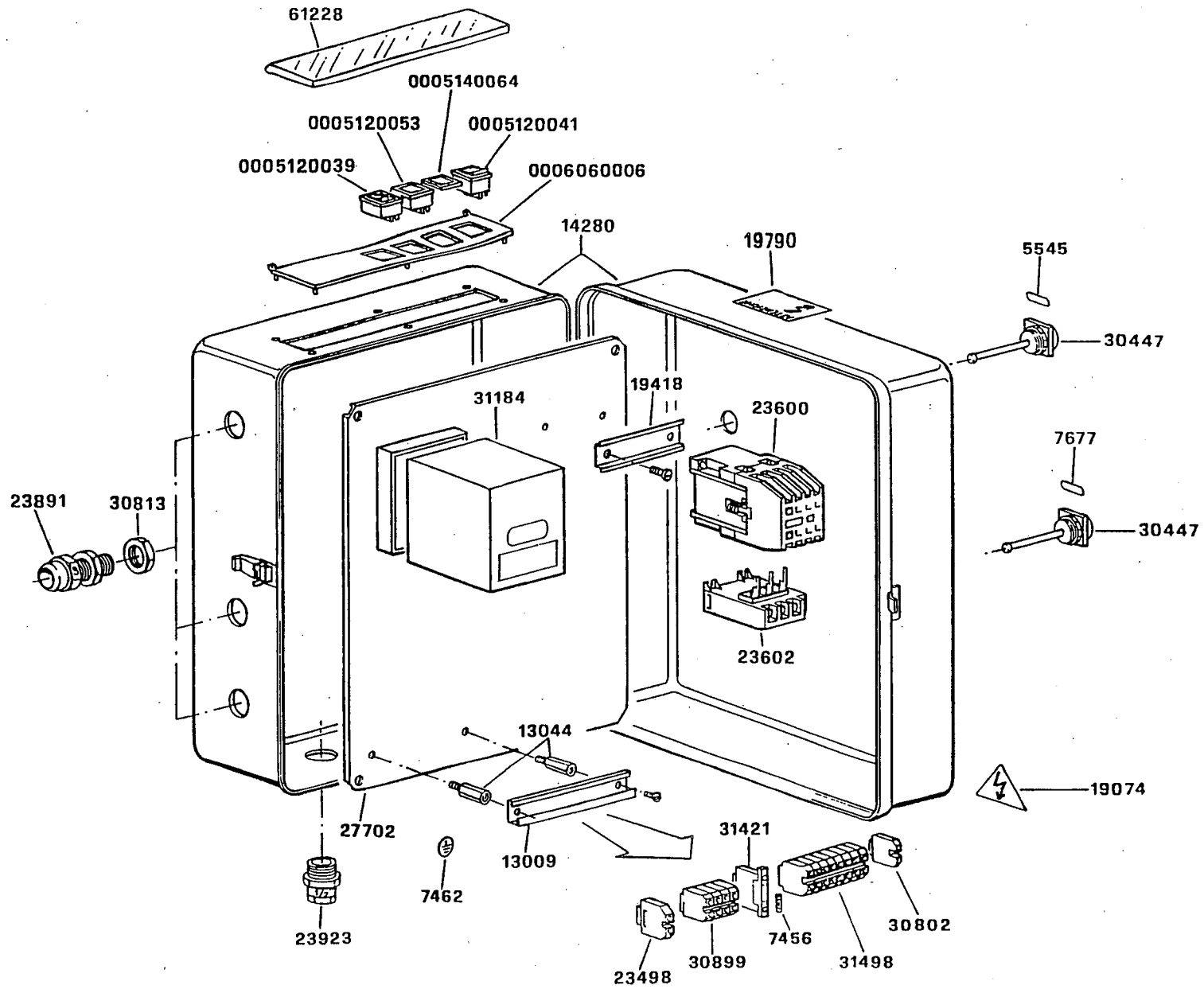


V. TAV. C 167

R14292 - APPARECCHIATURA - CONTROL PANEL - APPAREILLAGE ELECTRIQUE - SCHALTGERAETE



Cod. 0002991502 Rev.0
Data 06-09-96 Dis. Balboni D.