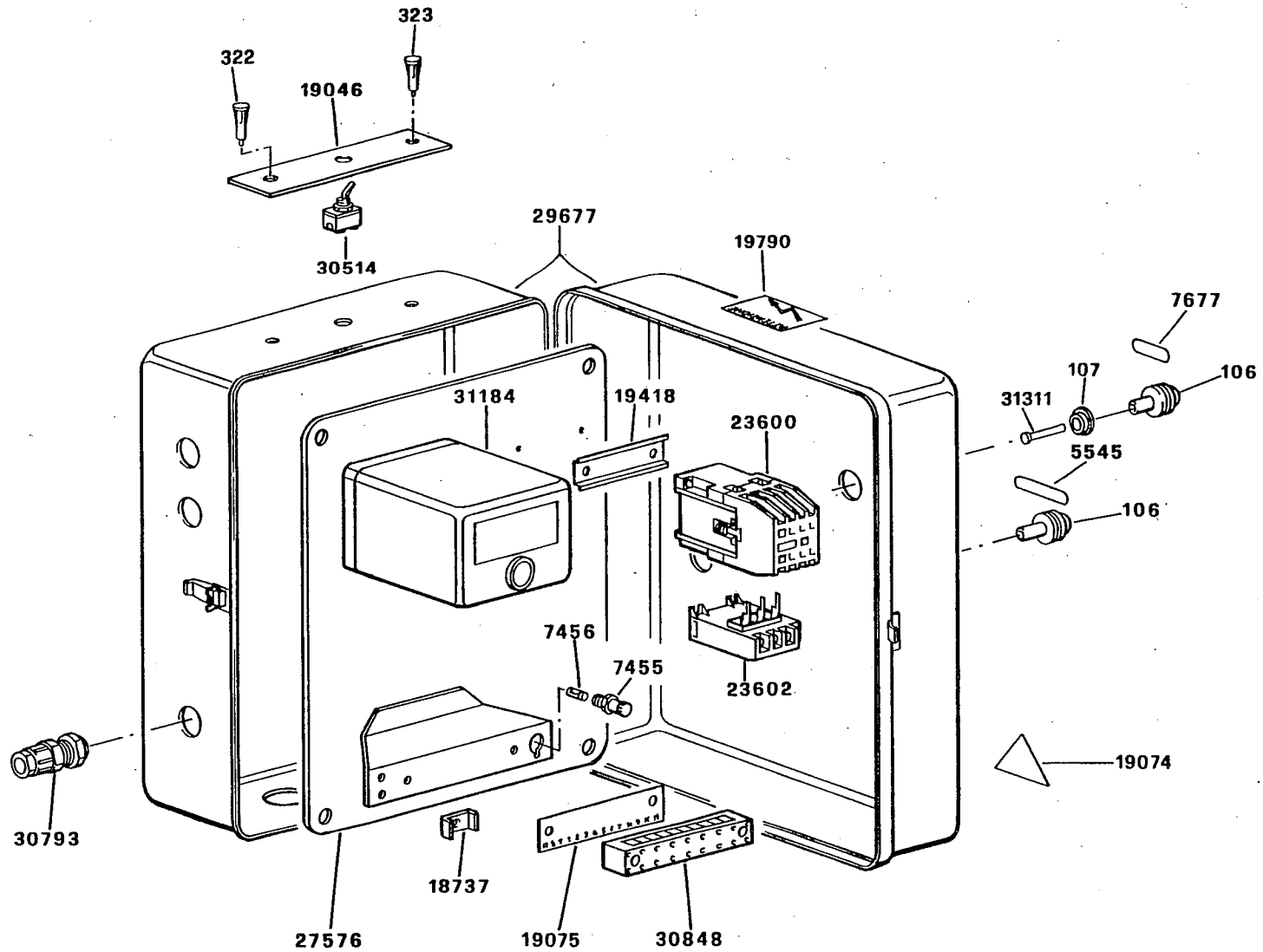


R14222 - APPARECCHIATURA - CONTROL PANEL - APPAREILLAGE ELECTRIQUE - SCHALTGERAETE



Cod. 0002990099 Rev.0
Data 01-12-90 Dis. Balboni D.