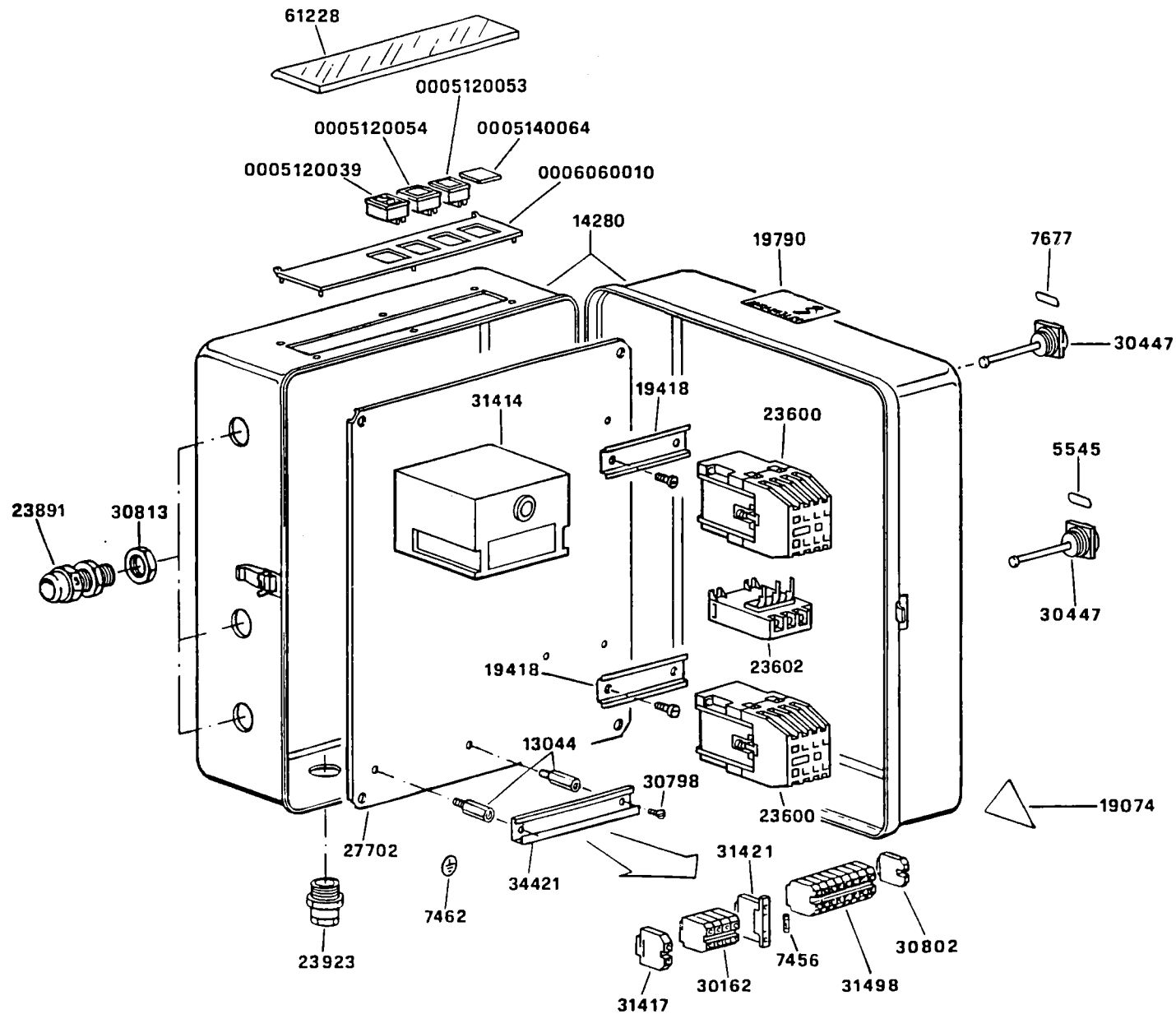


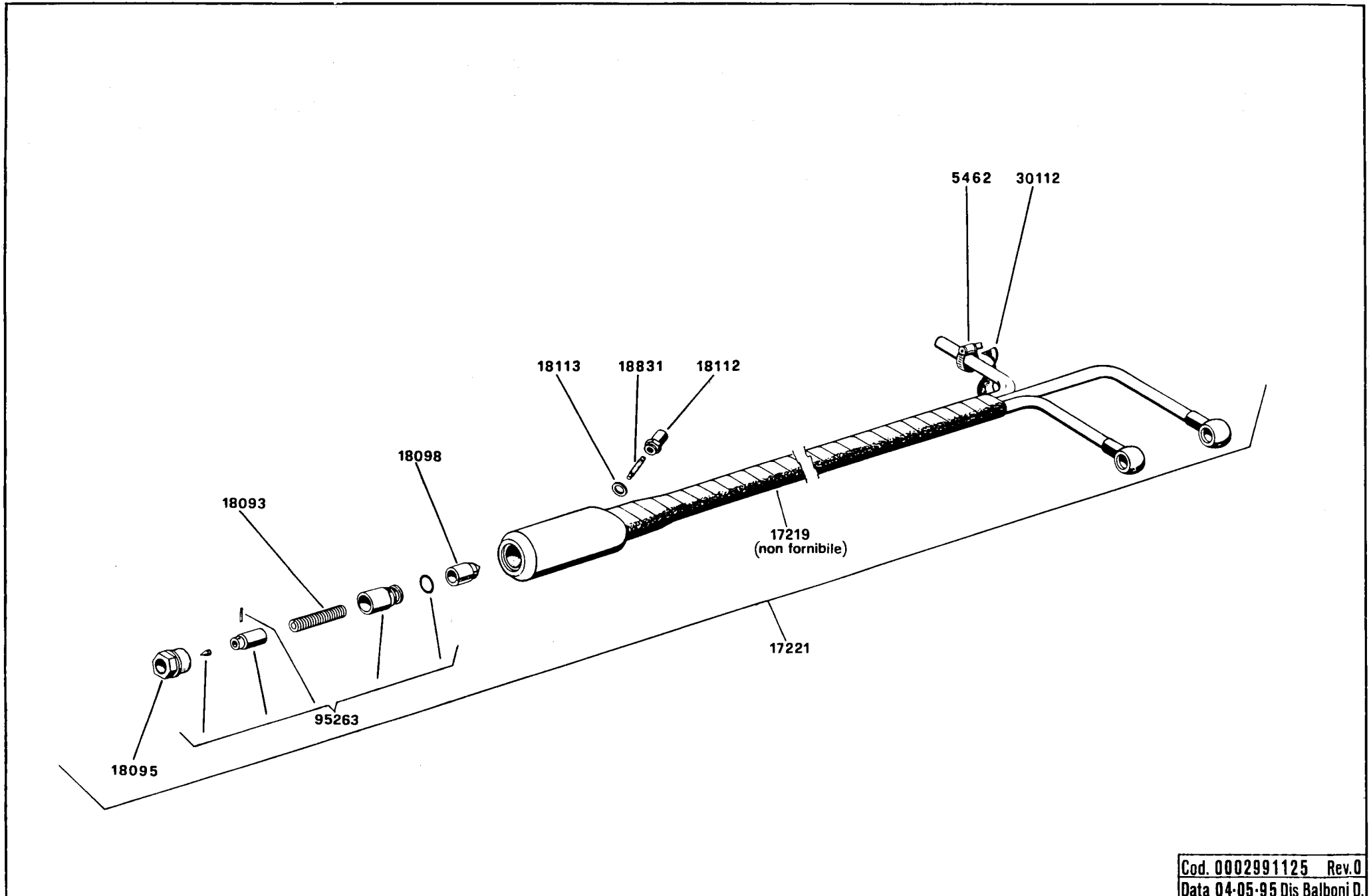
17229 - APPARECCHIATURA - CONTROL PANEL - APPAREILLAGE ELECTRIQUE - SCHALTGERAETE



Cod. 0002991541 Rev.0  
 Data 12-11-96 Dis. Balboni D.

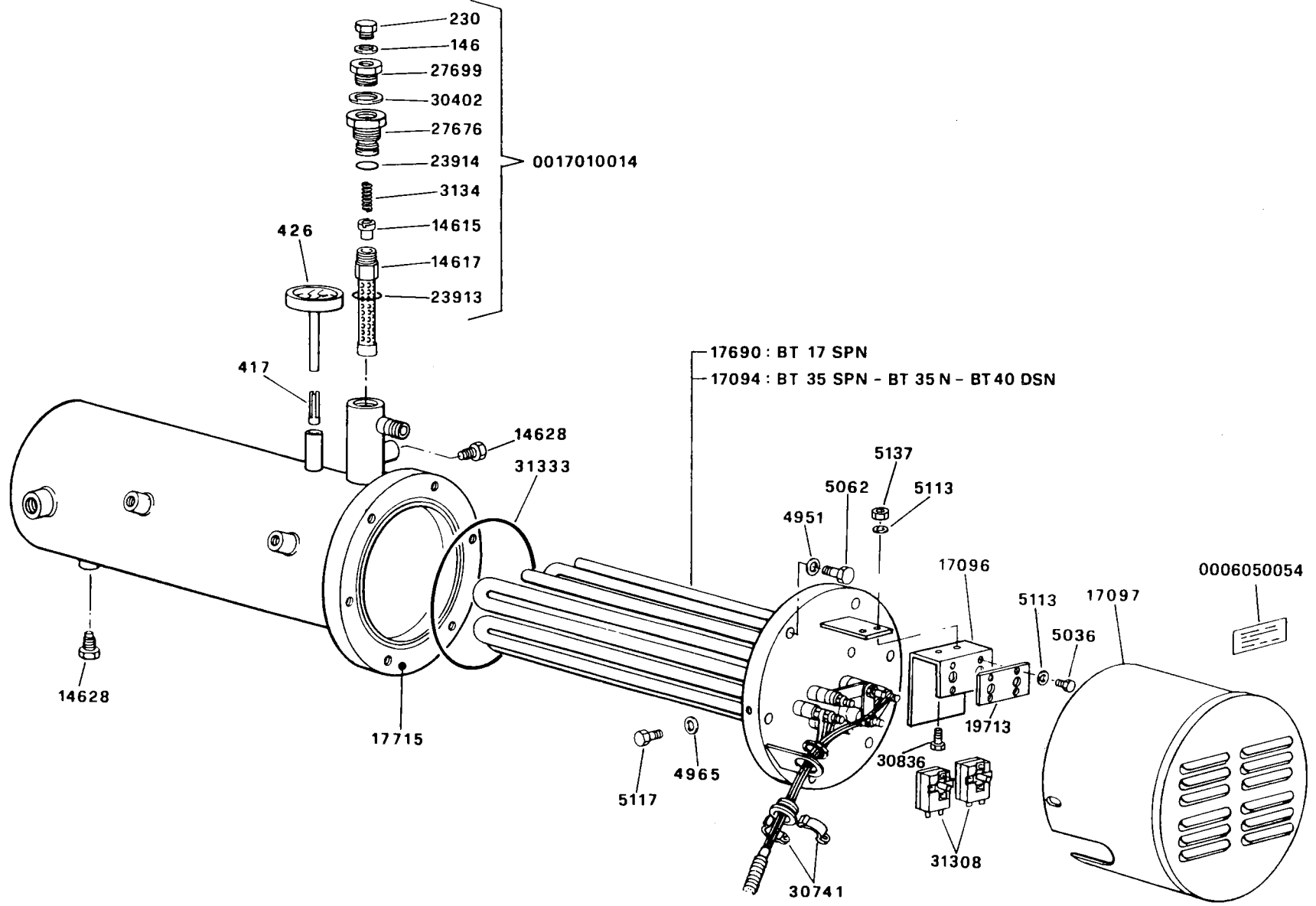
TAV. C 179

GRUPPO POLVERIZZATORE - NOZZLE ASSEMBLY - LIGNE GICLEUR - DUESENGESTAENGE 17221



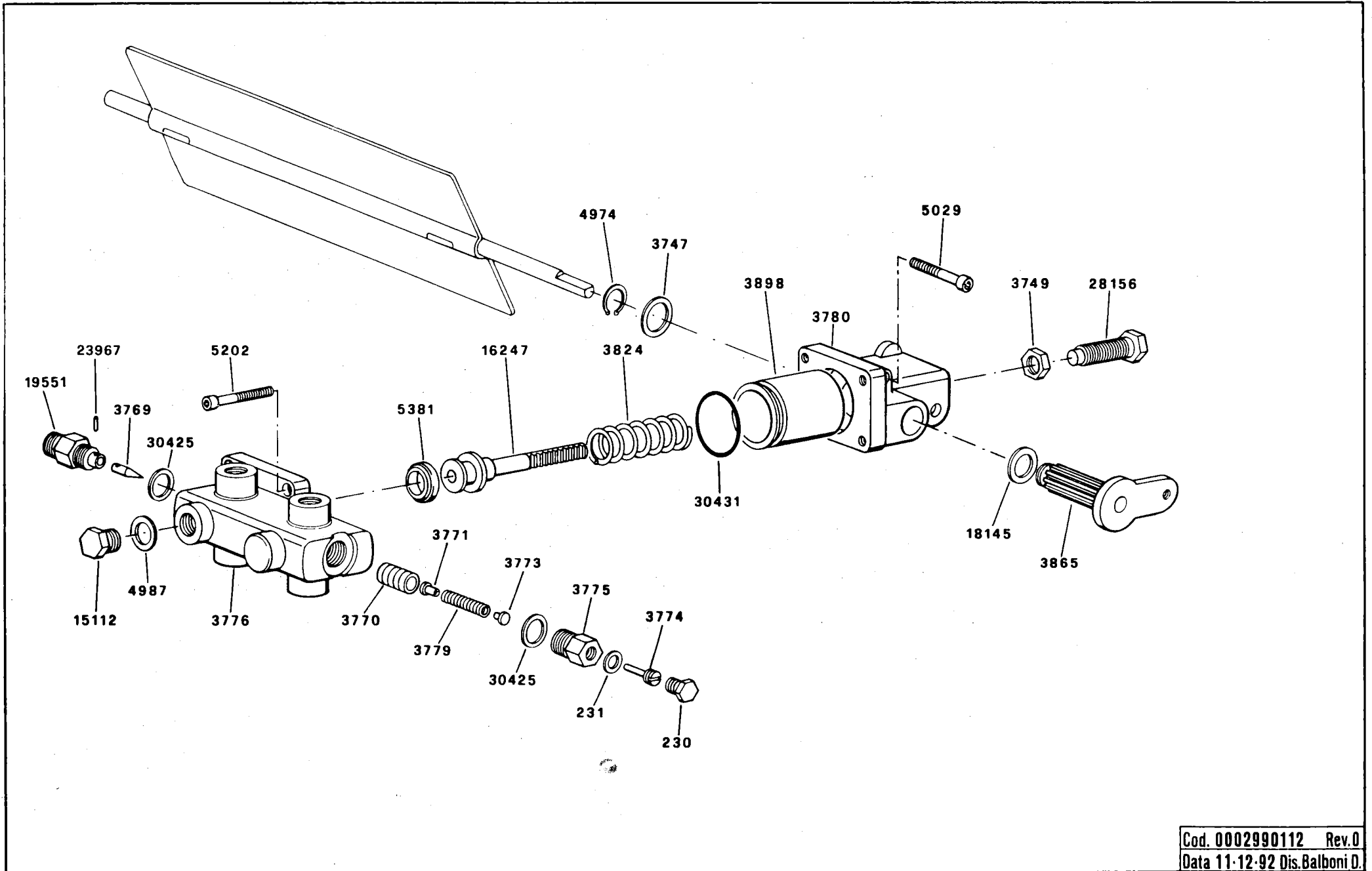
Cod. 0002991125 Rev.0  
Data 04-05-95 Dis Balboni D.

SERBATOIO PRERISCALDATORE - OIL PRE-HEATER - RECHAUFFEUR - OELERHITZER



Cod. 0002990628 Rev.0  
 Data 16-11-92 Dis. Balboni D.

ASSIEME MARTINETTO - HYDRAULIC RAM - VERIN REGLAGE D'AIR - HYDRAULISCHE WINDE 41525



Cod. 0002990112 Rev.0  
Data 11-12-92 Dis. Balboni D.