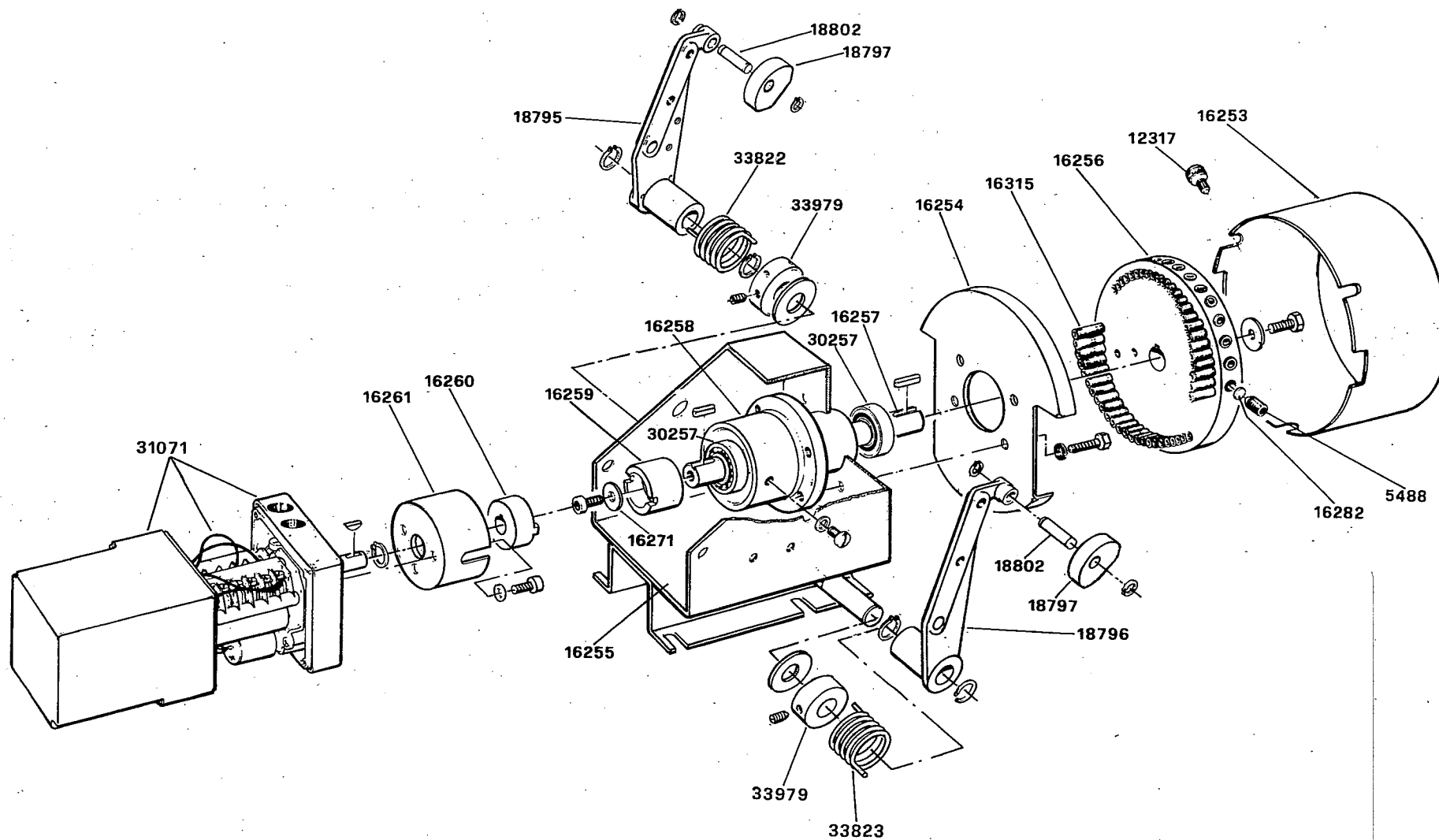


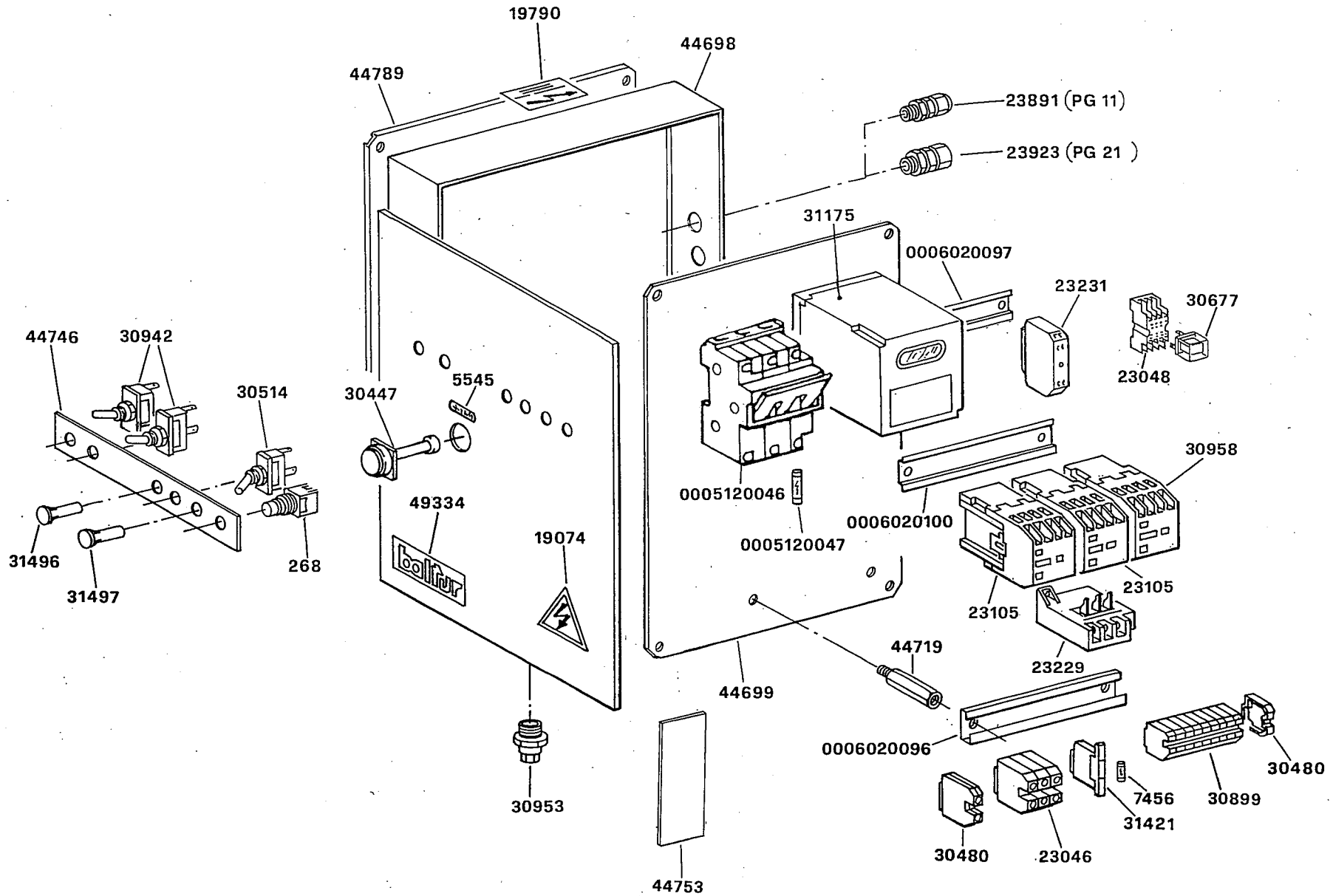
GRUPPO MODULATORE - MODULATING SYSTEM - SYSTEME DE MODULATION - MODULATIONSSYSTEM

cod.16283



Cod. 0002990920 Rev.1
Data 22-05-2000 dis. Balboni

900243 - APPARECCHIATURA - CONTROL PANEL - APPAREILLAGE ELECTRIQUE - SCHALTGERAETE



Cod. 0002990540 Rev.0
Data 01-06-92 Dis. Balboni D.